

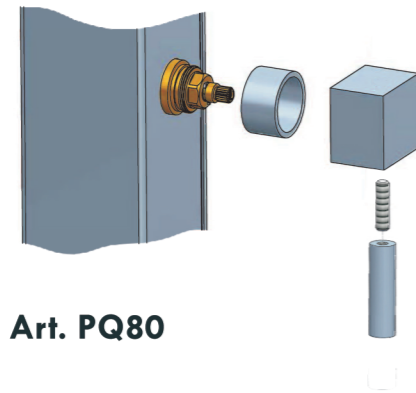
MAINTENANCE AND CLEANING

DEMOUNTING OF EXTERNAL PARTS (for seasonal use)

In case of long term non-use (typically: use limited to summer season only), we recommend to remove the entire shower column, demounting it in reverse order to the “installation” chapter (page up). In case this would not be possible, we suggest to:

1. Remove all demountable parts: showerhead, handshower and flexible hose.
2. Close stop valve inside the inspection well (see “Preinstallation” chapter, two pages up).
3. Unscrew supply pipe from stop valve.
4. Open taps until complete emptying of shower column.

In case of aggressive environmental conditions (especially: exposure to high salinity or frost) we also recommend to demount all tap removable parts, including cartridge. Please refer to the drawings below for demounting sequence.



Art. PQ80

PERIODICAL MAINTENANCE

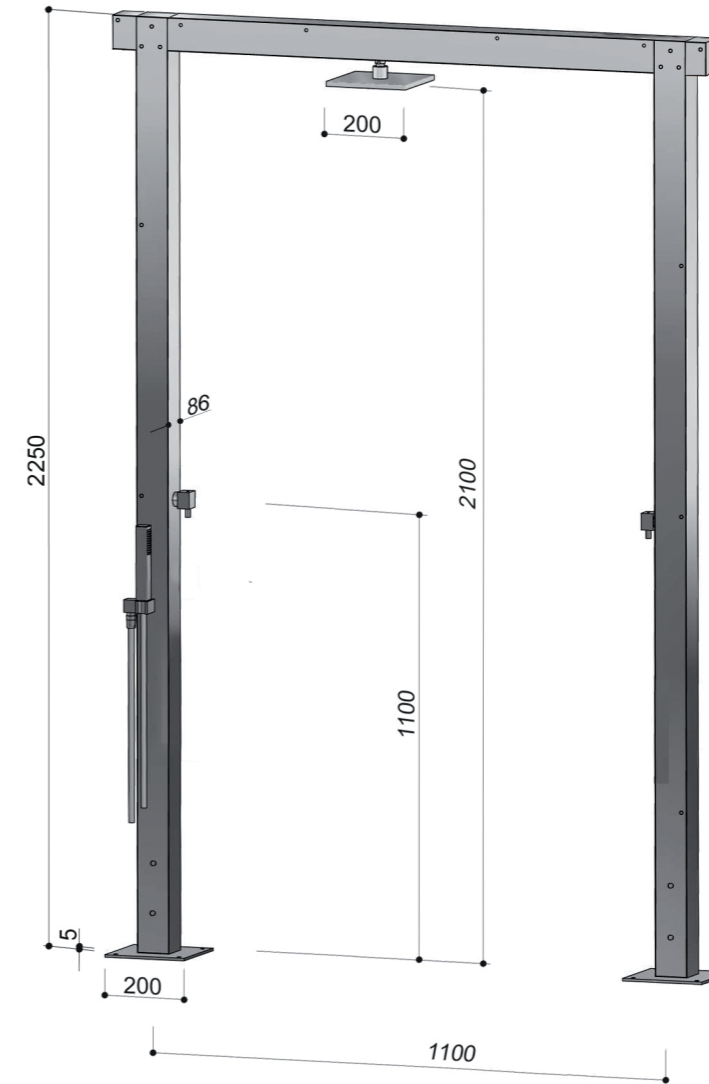
- Wash frequently the column with clean water (if possible using a high pressure water jet), in order to keep bright the surface of the supermirror MX finish and to clean the stripes in case of brushed BX finish. Dry off carefully after washing.
- Remove frequently saline deposits, limescale and oxide spots; clean cavities, couplings, screw heads etc. Use only soft cloths; in case of brushed finish follow the stripes direction.
- At least once per year, clean carefully using detergents specific for stainless steel. Then polish using a passivating product following the manufacturer’s instructions.

! To be avoided: abrasive cloths, powder detergents, all cleaning products containing hydrochloric acid. Never expose the column to the vapor of the acid products used to clean floors and tiles, also in the outdoor environment.

In case of very aggressive environments (front sea and in general high-salinity locations), we recommend to install only columns in MX bright finish and clean the surface frequently.

INSTRUCTIONS AND MAINTENANCE

fontealta
in&out steel concept



PQ80

Outdoor shower bridge with 2 stop taps, an anti-limescale showerhead and footshower head

All Lares bridges are made of stainless steel AISI 316, with the exception of stop tap handle and footwash head which are made in chromed brass

fontealta

is a brand of :

Rubineria F&F L'Artigiana Srl

Via Libeccio 48/C

I-55049 Viareggio (Lu)

Tel +39 0584 969041 Fax +39 0584 361206

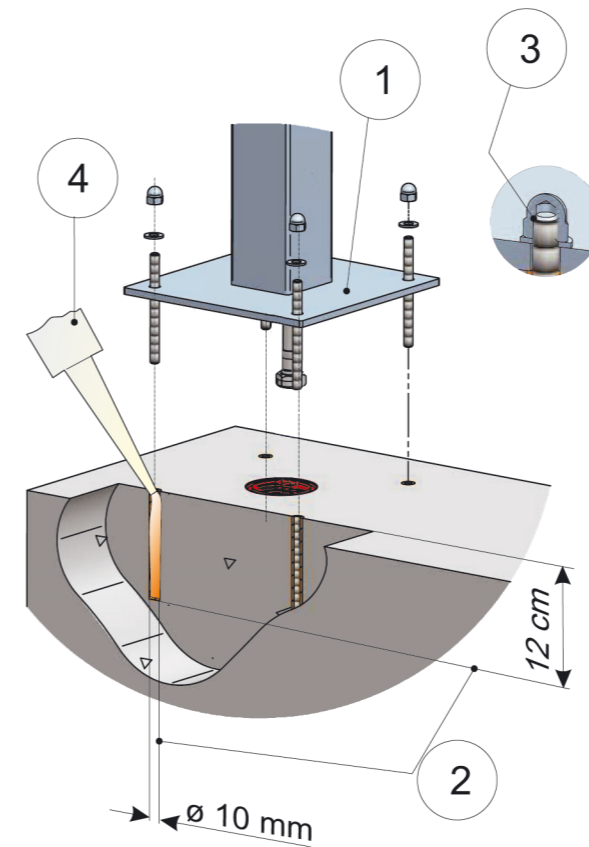
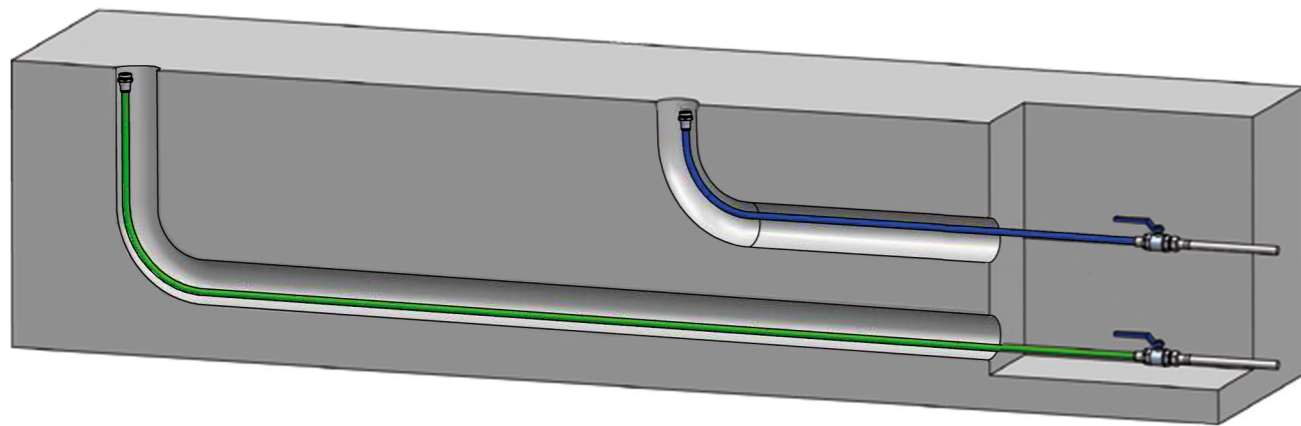
www.fontealta.it info@fontealta.it

PREINSTALLATION

1. Prior to installation, an inspection well equipped fit to lodge a stop valve shall be built. It should be of appropriate size allow all required water connections. Together with the stop valve (or upstream of it) we recommend the installation of a filter. If the shower column is equipped with time-limited self-closing tap, the installation of a filter is strictly required for the acknowledgement of our gurantee.
2. Downstream of a well, install a 6 cm diameter corrugated pipe; take care that the upper edge of a pipe is installed at a minimum distance of 15 cm from the finished floor surface.
3. Install a polyethylene/polypropylene water supply pipe (or a similar material), finished off with a 1/2" male thread.
4. Wash out the supply pipes upstream of inspection well

Art. PQ80

- Showerhead (Right)
- Handshower (Left)



1. Place the bridge into position and trace the 8 fixation holes. Remove the bridge.
2. Drill eight 10 mm Ø holes, to a depth of 12 cm.
3. Mount the washers and the blocking nuts on the threaded stems supplied, taking care not to tighten the nuts (leave at half-run).
4. Inject two-component resin, starting from the bottom of the holes. Place the bridge position.
5. Insert the threaded stem inside the holes, rotating them in order to allow the resin to fill the holes.
6. Remove the excess resin and clean. Wait for resin to dry up, following the manufacturer instructions.
7. Unscrew the nut and the washer. Remove the bridge.
8. Connect the supply pipe to the 1/2" loose nut of flexible pipe.
9. Slide the supply pipe into the corrugated pipe.
10. Connect the end of supply pipes to the stop valves installed inside in the inspection well.
11. Check the static seal, with taps in position of closed water.
12. Place the Bridge onto the threaded stems. Isert washers on stems and tighten the blocking nuts using a 13 mm wrench. Check the bridge uprightness using a level; in case of misalignment, loose the blocking nuts and insert thicknesses between the floor and the column base flanges.
13. Install the accessories supplied separately (showerhead, flexible and handshower).

